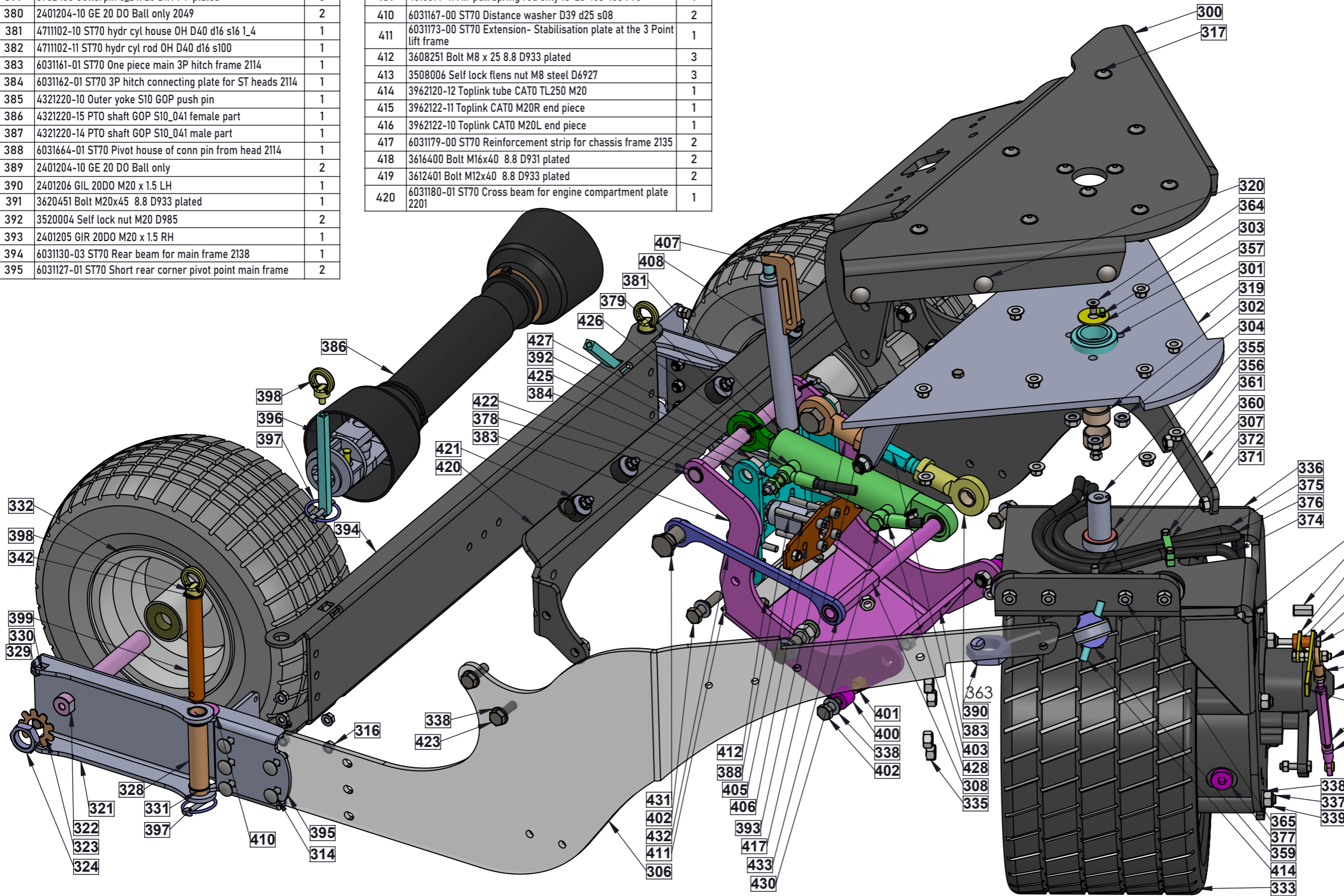


#	PART NUMBER + REV + Description	QTY.
366	3010151 Retaining washer M10 D6798A	4
367	3510000 Normal nut M10 D934	4
368	3962140-92 Toplink ball only CAT0 M20 Gopart	1
369	4720314 Nipple VNJ0712 M x M JIC 7_16 x BSP 3_4	1
370	4720320 Nipple RIU 0912 M x M JIC 9_16 x BSP 3_4 with Oring	2
371	6031174-01 ST70 Clamp strip for hydraulic hose front wheel 2219	2
372	3606400 Bolt M6 x 40 8.8 D 931 plated	2
373	3506006 Self lock nut M6 D6927	2
374	7808215-90 ST70 Main hose A from PC to HGM 2_2	1
375	7808216-90 ST70 Main hose B from PC to HGM 2_2	1
376	7808101-91 ST70 Leak oil hose from HGM 2_2 to tank 2219	1
377	4744608 Stop nipple VSZ12 BSP 3_4	2
378	6031645-02 Hydr cyl pin for rod end 2114	1
379	3902435 Cotterpin 3_2 x 28 DIN 94 plated	5
380	2401204-10 GE 20 DO Ball only 2049	2
381	4711102-10 ST70 hydr cyl house OH D40 d16 s16 L_4	1
382	4711102-11 ST70 hydr cyl rod OH D40 d16 s100	1
383	6031161-01 ST70 One piece main 3P hitch frame 2114	1
384	6031162-01 ST70 3P hitch connecting plate for ST heads 2114	1
385	4321220-10 Outer yoke S10 GOP push pin	1
386	4321220-15 PTO shaft GOP S10_041 female part	1
387	4321220-14 PTO shaft GOP S10_041 male part	1
388	6031664-01 ST70 Pivot house of conn pin from head 2114	1
389	2401204-10 GE 20 DO Ball only	2
390	2401206 GIL 20DO M20 x 1.5 LH	1
391	3620451 Bolt M20x45 8.8 D933 plated	1
392	3520004 Self lock nut M20 D985	2
393	2401205 GIL 20DO M20 x 1.5 RH	1
394	6031130-03 ST70 Rear beam for main frame 2138	1
395	6031127-01 ST70 Short rear corner pivot point main frame	2

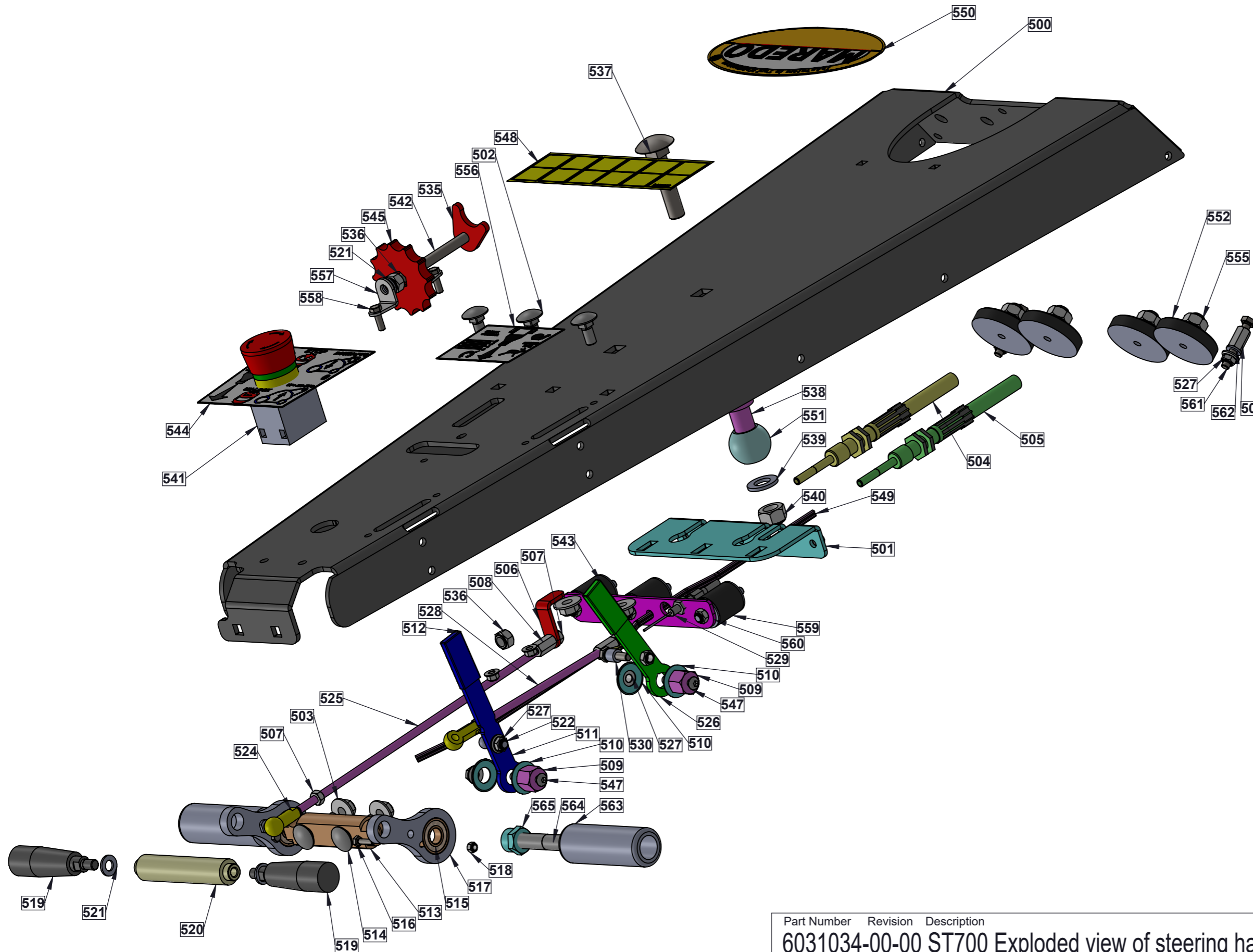
#	PART NUMBER + REV + Description	QTY.
396	6031661-00 ST70 Square secure pin for rear wheel support	3
397	3901365 Linch pin d=6	4
398	3608134 Eye bolt M8 x 13 DIN 850	4
399	6031629-03 Pin for rearwheel support to main frame 2114	2
400	6031662-00 ST70 Base bush for pivot point of 3 P hitch	4
401	2412122 Hardened bush d12 D16 L14	4
402	3612550 Bolt M12x55 8.8 D931 plated	4
403	6031663-00 ST70 Toplink shaft for 3P hitch	1
404	3520026 Low height nut M20 x 1.5 D439B plated	1
405	3608653 Round head with inner hex M8 x65 DIN912 8.8 plated	6
406	6031163-02 ST70 Second mount plate for 3P hitch pivot block 2116	1
407	6031665-00 ST70 Connector with slotted hole for air spring	1
408	4513379-10 Air pull spring house only 10-28-150-100 Pro	1
409	4513379-11 Air pull spring rod only 10-28-150-100 Pro	1
410	6031167-00 ST70 Distance washer D39 d25 s08	2
411	6031173-00 ST70 Extension- Stabilisation plate at the 3 Point lift frame	1
412	3608251 Bolt M8 x 25 8.8 D933 plated	3
413	3508006 Self lock flens nut M8 steel D6927	3
414	3962120-12 Toplink tube CAT0 TL250 M20	1
415	3962122-11 Toplink CAT0 M20R end piece	1
416	3962122-10 Toplink CAT0 M20L end piece	1
417	6031179-00 ST70 Reinforcement strip for chassis frame 2135	2
418	3616400 Bolt M16x40 8.8 D931 plated	2
419	3612401 Bolt M12x40 8.8 D933 plated	2
420	6031180-01 ST70 Cross beam for engine compartment plate 2201	1

#	PART NUMBER + REV + Description	QTY.
421	4563304 Rubber block A D30 H20 M8x20 43sh	5
422	3905200 Cir clip d=20 D471	2
423	3612351 Bolt M12x35 8.8 D933 plated	4
424	3508007 M8 nut with ribbs flange for self locking DIN 6923	11
425	4722425 Banjo bolt 1_4 BSP single w adj throttle	1
426	3013004 Cupper washer D18 d13 s1_5 soft	2
427	7808211-02 ST70 Hose from valve T to rod side hydr cyl Part2	1
428	7808213-02 ST70 Pressure hose from valve A to hydr cyl Part2	1
429	3015004 Cupper washer D19 d15 s1_5 soft	2
430	4722424 Banjo bolt 1_4 BSP single	1
431	6031677-00 ST70 Machined bolt M20x45 for second toplink	1
432	6031184-00 ST70 Fixed length toplink plate 2204	1
433	3905220 Cir clip d=22 D471	1

#	PART NUMBER + REV + Description	QTY.
300	6031100-02 ST70 Main chassis plate 2135	1
301	6031627-01 Bearing house for front wheel supp pivot shaft	1
302	2000305 Needle bearing bush 303520	2
303	3660600 Grease nipple M6 straight	2
304	3010200 Washer M10 Din 125A	3
305	3510004 Self lock nut M10 D985	9
306	6031128-01 ST70 RH rear wheel support plate	1
307	6031129-01 ST70 LH rear wheel support plate	1
308	6031646-04 ST70 Hex22 pin for hydr cylinder 2204	1
309	3616700 Bolt M16x70 8.8 D931 plated	1
310	3016300 Washer M16 Din 125A	6
311	3016200 Retaining washer M16 D6798A	1
312	3516000 Normal nut M16 D934	1
313	3516004 Self lock nut M16 D985	4
314	3608254 Mushroom Bolt M8x25 Din 903 8_8 plated	10
315	3008160 Washer M8 Din 125A	11
316	3508004 Self lock nut M8 D985	24
317	3610457 Ball head bolt w washer M10x45 ISO 7380-2 10_9 plated	10
318	3510006 Self lock nut M10 D6927	14
319	6031125-03 ST70 Weight plate above front wheel 2135	1
320	3610304 Mushroom bolt full thread M10x30 8.8 D603 plated	6
321	6031131-01 ST70 U Support plate for rear wheel 2049	2
322	6031630-02 ST70 Rear wheelshaft SW2114	2
323	6031150-00 Secure plate for nut M27 Hex 36	2
324	3527026 Self made low nut M27 x 1.5 HEX 36	2
325	3012600 Thick Washer M12 Din 7349	2
326	3012151 Retaining washer M12 D6798A	2
327	3612201 Bolt M12x20 8.8 D933 plated	2
328	6031628-01 ST70 Pivot bush for rear wheel assemblies SW2114	2
329	3608161 Bolt M8 x 16 8.8 D933 plated	8
330	3508000 Normal nut M8 D934	13
331	3905250 Cir clip d=25 D471	5
332	4224210 Wheel 16x7.50-8 2 Ply Carlisle 25 mm shaft	2
333	4225070-01 Compl wheel 18x10.50-10 Carlisle M Trac Rim 8.5x10 60_100_4	1
334	4711640 Hydro_Gear HGM-H 15 Wheelmotor SD	1
335	3513004 Selflock nut 1_2-20 UNF D980 8-8 plated	4
336	6031103-04 ST70 Main frontwheel support frame 2204	1
337	3612945 Bolt M12x130 8.8 D931 plated	4
338	3012250 Washer M12 Din 125A	18
339	3512004 Self lock nut M12 D985	14
340	6031634-03 Pivot bush for hand brake lever 2219	1
341	3608500 Bolt M8 x 50 8.8 D 931 plated	1
342	3008200 Large diameter washer M8 D9021 plated	3
343	3608201 Bolt M8 x 20 8.8 D933 plated	1
344	3008121 Retaining washer M8 D6798A	2
345	3508040 High nut M8 D6334 8.8 plated	1
346	6031133-02 Hand brake lever SW2114	1
347	6031132-01 ST70 Handbrake lever short 2114-2204	1
348	3608451 Bolt M8 x 45 8.8 D933 plated	3
349	2401081-92 GIKR 8LW ball only	4
350	3608351 Bolt M8 x 35 8.8 D933 plated	2
351	2401080-90 GILR 8LW M8 LH house only	1
352	2401081-90 GIKR 8LW house only	2
353	6031632-01 Hand brake rod M8 L+R SW2114	1
354	9653221-01 ST70 Park brake level decal	1
355	6031602-03 ST70 Main pivot shaft of front wheel frame 2201	1
356	3030100 Shim washer D988 d30 D42 s1	1
357	6031640-03 ST70 Washer 40-08-5 with 2 holes 2201	1
358	3840154 Plastic lever cover yellow 3-15-40	1
359	3616600 Bolt M16x60 8.8 D931 plated	1
360	3510040 High nut 3D M10	2
361	3610601 Bolt M10x60 8.8 D933 plated	2
362	3510012 Low height nut M10	2
363	3533026 Low nut M33 x 1.5 HEX 50 DIN 439-2	1
364	3608165 Tapered head bolt M8x 16 DIN7991 8_8 plated	1
365	4563502 Half Rubber block D50 x H20 M10x18 type A 705	4



Part Number Revision Description
1303700-035.00 ST700 Exploded view of main chassis

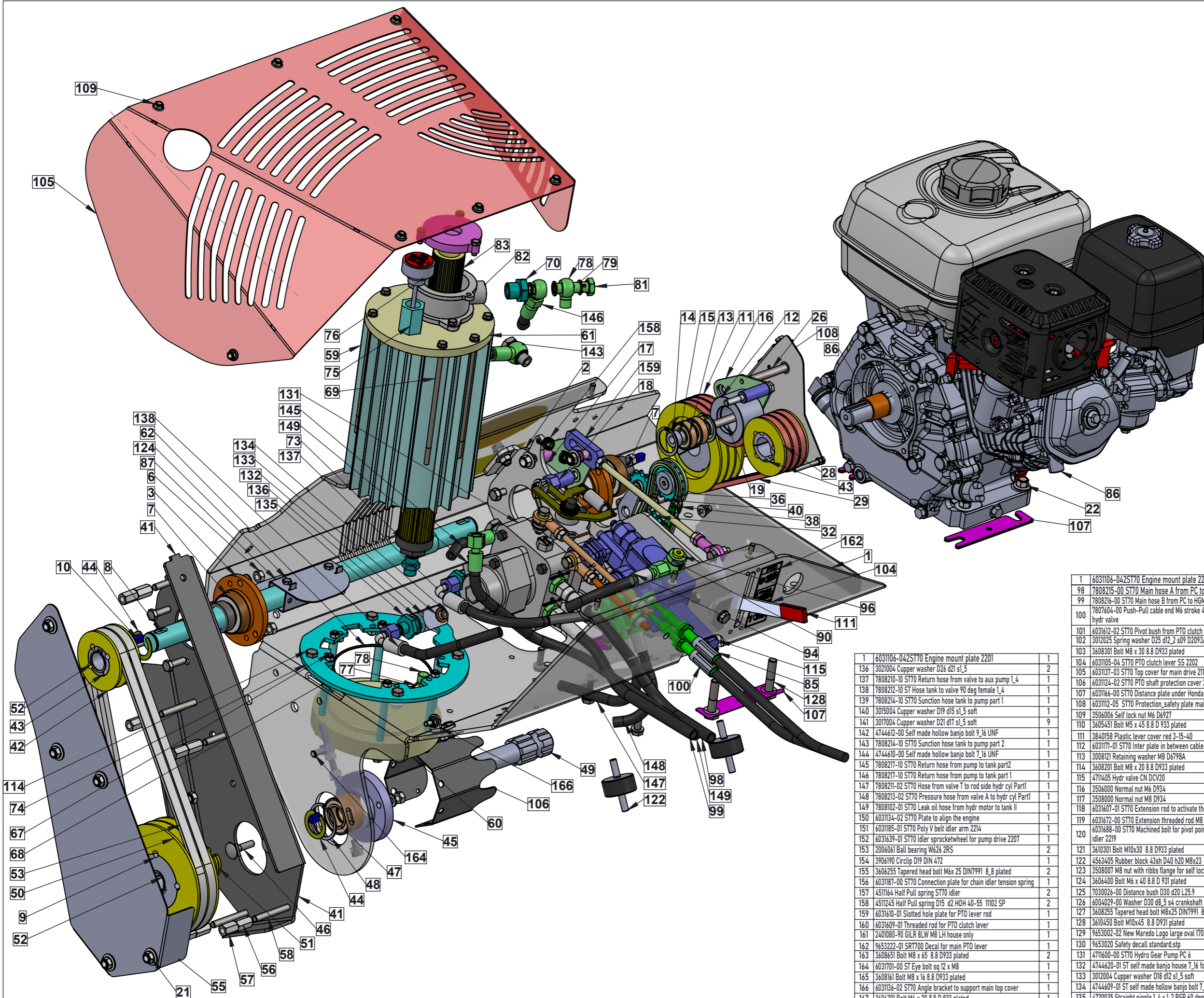


#	PART NUMBER + REV + Description	QTY.
500	6031114-02 ST70 Steering handle bar SW2135	1
501	6031183-00 ST70 Support plate for cable mount strip 2202	1
502	3608204 Mushroom Bolt M8x20 Din 903 8_8 plated	3
503	3508006 Self lock flens nut M8 steel D6927	5
504	7807603 ST70 Push pull cable for driving	1
505	7807602 ST70 Push pull cable for hydraulic valve	1
506	6031119-02 ST70 Pointer for cruise control 2113	1
507	3506000 Normal nut M6 D934	5
508	3506040 High nut M6 D6334 8.8 plated	4
509	6031616-02 ST70 Pivot bush for up_down level SW2114	2
510	3012025 Spring washer D25 d12_2 s09 D2093A ST	4
511	6031115-03 Lever for 3Point up-down SW2113	1
512	3840152 Plastic lever cover blue 3-15-40	1
513	6031618-02 ST70 Main handle bar shaft SW2135	1
514	3608354 Mushroom Bolt M8x35 Din 903 8_8 plated	2
515	2012081 Ball bearing 6001 2RS	2
516	3604161 Bolt M4 x 16 8.8 D 933 plated	2
517	6031118-01 ST70 Hand drive-shaft pivot strip2114	2
518	3504004 Self lock nut M4 D985	2
519	3440081 Fixed bakelite handgrip M8 D23 L63	2
520	6031617-02 Second drive lever shaft at steering handle SW2135	1
521	3008160 Washer M8 Din 125A	4
522	3912330-10 Ball only for M6 swivel joint	2
523	3006121 Retaining washer M6 D6798A	1
524	3912330-12 M6 Swivel house only square d71802	2
525	6031620-02 ST70 Extended M6 threaded rod for drive lever	1
526	6031116-02 ST70 Engine revs lever SW2113	1
527	3506006 Self lock nut M6 D6927	5
528	6031668-00 ST70 Extension threaded M6 rod for 3P lever	1
529	7807601 ST70 Engine revs cable	1
530	6031669-00 ST70 Pivot bush engine rev cable at lever	1
531	7807601-10 Inner cable end at lever side	1
532	7807601-12 Small piece of cable for simulation	1
533	3506004 Self lock nut M6 D985	7
534	3606251 Bolt M6 x 25 8.8 D 933 plated	1
535	6031126-01 Pointer for cruise control SW2113	1
536	3508004 Self lock nut M8 D985	2
537	3612604 Mushroom bolt full thread M12x60 8.8 D603 plated	1
538	6031619-00 Bush for CAT1 toplink end	1
539	3012250 Washer M12 Din 125A	1
540	3512004 Self lock nut M12 D985	1
541	5012301 ST70 Emergency stop switch	1
542	3608801 Bolt M8 x 80 8.8 D933 plated	1
543	3840156 Plastic lever cover green 3-15-40	1
544	9653223-00 ST700 Decal 1 for steering beam SW2107	1
545	6031172-00 ST70 Cruise control turning wheel	1
546	3505006 Self lock nut M5 D6927	2
547	3606357 Ball head bolt M6 x35 ISO 7380 plated TORX	2
548	9652020-00 Safety decal general	1
549	6031070-00 ST70 Emergency switch wire cable	1
550	9653002-02 New Maredo Logo large oval 170 x 80 1807	1
551	3962140-92 Toplink ball only CAT0 M20 Gopart	1
552	4563502 Half Rubber block D50 x H20 M10x18 type A 70S	4
553	3010151 Retaining washer M10 D6798A	4
554	3010200 Washer M10 Din 125A	4
555	3510000 Normal nut M10 D934	4
556	9653224-01 ST700 Decal 2 for steering beam 2118	1
557	6031178-01 ST70 Angle support plate for cruise control 2221	2
558	3605161 Bolt M5 x 16 8.8 D 933 plated	2
559	4562150 Rubber block D25 H30 M6x10 55sh	3
560	6031182-00 ST70 Base strip to mount the cables with rubbers 2202	1
561	3606401 Bolt M6 x 40 8.8 D 933 plated	2
562	3006160 Washer M6 Din 125A	2
563	6031684-00 ST70 Self made plastic hand grip 2214	2
564	3612903 Round head bolt M12 x 90 DIN 912 8.8 plated	2
565	6031685-00 ST70 Special nut for self made hand grip	2

Part Number Revision Description
6031034-00-00 ST700 Exploded view of steering handle bar

Date
 18th June2022





1	6031106-042ST70 Engine mount plate 2201	1
2	6031104-02 ST70 Mount plate for Hydrogear pump 2114	1
3	2425312-01 Bearing house D52 spherical 8.5 R38	2
6	3508004 Self lock nut M8 D985	15
7	2425304 Bearing SKF YET 25	2
8	6031606-03 ST70 Main PTO shaft 2135	1
9	4086825 Taperlock bush 2012-25	2
10	3911420 Key 8x 7x 20 DIN 6885	3
11	4040114 Pulley 112 SPZ-3 TL2012	1
12	6031626-01 ST70 PTO idler	1
13	2015111 Ball bearing 6202 2RS	2
14	3906350 Circlip D35 DIN 472	2
15	6031624-02 ST70 Bush for PTO idler 2114	2
16	6031111-02 ST70 Engine idler support plate 2114	2
17	6031608-01 Pivot bush for engine idler 2114	1
18	6031623-02 ST70 Distance bush idler bolt D20 d10 SW2114	1
19	6031625-01 ST70 Machined M10 bolt for PTO idler	1
20	3010151 Retaining washer M10 D6798A	1
21	3508006 Self lock flens nut M8 steel D6927	15
22	3510006 Self lock nut M10 D6927	7
23	3608700 Bolt M8 x 70 8.8 D931 plated	1
24	6031611-00 ST70 Pivot bush for PTO idler lever	1
25	6031647-00 ST70 Distance bush for PTO idler D15 d8	1
26	3610850 Bolt M10x85 8.8 D931 plated	1
27	3010200 Washer M10 Din 125A	6
168	3505000 Normal nut M5 D934	3
28	4040074 Pulley 71 SPZ-3 TL1108	1
29	4012224 PTO Belt 6724 Lo=60l	3
30	6031152-00 ST70 Key for pump shaft	1
31	6031151-00 ST70 Distance washer for pump shaft	1
32	6031651-01 ST70 Driven sprocket for pump 3.8 x 15t	1
36	4032121-00 ST70 Maintenance free Pump chain 3.8 x 32 shackles incl link	1
37	4134130-BB Outer shackle for 3.8 DIN 8187 chain	1
38	4134130-CC Closing link for 3.8 DIN 8187 chain	1
39	4134130-AA Inner shackle for 3.8 DIN 8187 chain	2
40	6031650-01 ST70 Drive sprocket for Honda 3.8 x 16t	1
41	6031110-03 ST70 Baseplate for side V belt drive 2204	1
42	4041072 V-belt pulley 71A2 TL1108	1
43	4083825 Taperlock bush 1108-25	2
44	6031153-00 ST70 Dist washer for PTO shaft D39 d25 s1	2
45	6031636-02 ST70 Compact bearing house for PTO shaft	1
46	3608354 Mushroom Bolt M8x35 Din 903 8.8 plated	2
47	2025121 Ball bearing 6005 2RS	2
48	3906470 Circlip D47 DIN 472	1
49	6031621-01 ST70 Short PTO shaft	1
50	4041142 V-belt pulley 140A2 TL2012	1
51	6031154-00 ST70 Dist washer for 25mm shaft D39 d25 s4	2
52	3905250 Cir clip d=25 D471	2
53	4013336 V Belt XPA 900	2
54	3608605 Threaded stud M8 x 60 DIN 939	1
55	6031138-02 ST70 Top cover V belt drive 2113	1
56	3508040 High nut M8 D6334 8.8 plated	5
57	6031652-00 Long distance nut behind Vbelt drive cover	5
58	3608601 Bolt M8 x 60 8.8 D933 plated	3
59	6031641-01 ST70 ALU extension profile d123 for oil tank	1
98	7808215-00 ST70 Main hose A from PC to HGM	1
99	7808216-00 ST70 Main hose B from PC to HGM	1
100	7807604-00 Push-Pull cable end M6 stroke 40 L adjusted for hydr valve	1
101	6031612-02 ST70 Pivot bush from PTO clutch lever 2114	1
102	3012025 Spring washer D25 d12.2 s09 D2093A ST	2
103	3608301 Bolt M8 x 30 8.8 D933 plated	2
104	6031105-04 ST70 PTO clutch lever SS 2202	1
105	6031137-03 ST70 Top cover for main drive 2117	1
106	6031124-02 ST70 PTO shaft protection cover 2128	1
107	6031166-00 ST70 Distance plate under Honda engine 0.8	10
108	6031111-05 ST70 Protection safety plate main Vbelt pulley 2139	1
109	3506004 Self lock nut M6 D6927	14
110	3605451 Bolt M5 x 45 8.8 D 933 plated	3
111	3840158 Plastic lever cover red 3-15-40	1
112	6031171-01 ST70 Inter plate in between cable and hydr valve 2114	2
113	3008121 Retaining washer M8 D6798A	2
114	3608201 Bolt M6 x 20 8.8 D933 plated	5
115	4711405 Hydr valve CN DCV20	1
116	3506000 Normal nut M6 D934	4
117	3508000 Normal nut M8 D934	8
118	6031607-01 ST70 Extension rod to activate the pump lever 2114	1
119	6031672-00 ST70 Extension threaded rod M8 for valve lever	1
120	6031688-00 ST70 Machined bolt for pivot point of pump drive idler 2219	1
121	3610301 Bolt M10x30 8.8 D933 plated	1
122	4563405 Rubber block 43sh D40 h20 M8x23	2
123	3508007 M8 nut with ribs flange for self locking DIN 9923	2
124	3606400 Bolt M6 x 40 8.8 D 931 plated	2
125	7030026-00 Distance bush D30 d20 L25.9	1
126	6004029-00 Washer D30 d8.5 s4 crankshaft Honda	1
127	3608255 Tapered head bolt M8x25 DIN7991 8.8 plated	1
128	3610450 Bolt M10x45 8.8 D931 plated	4
129	9653002-02 New Maredo Logo large oval 170 x 80 1807	1
130	9653020 Safety decal standard.stp	1
131	4711600-00 ST70 Hydro Gear Pump PC 6	1
132	4744620-01 ST self made banjo house 7.16 for aux pump 2152	2
133	3012004 Copper washer D18 d12 s1.5 soft	5
134	4744609-01 ST self made hollow banjo bolt 7.16 UNF for AUX 2152	2
135	4720035 Straight nipple 1.4 x 1.2 BSP 60 degrees	2
136	3021004 Copper washer D26 d21 s1.5	2
137	7808210-10 ST70 Return hose from valve to aux pump 1.4	1
138	7808212-10 ST Hose tank to valve 90 deg female 1.4	1
139	7808214-10 ST70 Suction hose tank to pump part 1	1
140	3015004 Copper washer D19 d15 s1.5 soft	1
141	3017004 Copper washer D21 d17 s1.5 soft	9
142	4744612-00 Self made hollow banjo bolt 9.16 UNF	1
143	7808214-10 ST70 Suction hose tank to pump part 2	1
144	4744610-00 Self made hollow banjo bolt 7.16 UNF	1
145	7808217-10 ST70 Return hose from pump to tank part2	1
146	7808217-10 ST70 Return hose from pump to tank part 1	1
147	7808211-02 ST70 Hose from valve T to rod side hydr cyl Part1	1
148	7808213-02 ST70 Pressure hose from valve A to hydr cyl Part1	1
149	7808102-01 ST70 Leak oil hose from hydr motor to tank II	1
150	6031134-02 ST70 Plate to align the engine	1
151	6031185-01 ST70 Poly V belt idler arm 2214	1
152	6031639-01 ST70 Idler sprocketwheel for pump drive 2207	1
153	2006061 Ball bearing W626 2RS	2
154	3906190 Circlip DIN D19 472	1
155	3606255 Tapered head bolt M6x25 DIN7991 8.8 plated	2
156	6031187-00 ST70 Connection plate for chain idler tension spring	1
157	4511164 Half Pull spring ST70 idler	2
158	4512145 Half Pull spring D15 d2 HOH 40-55 1102 SP	2
159	6031610-01 Slotted hole plate for PTO lever rod	1
160	6031609-01 Threaded rod for PTO clutch lever	1
161	2401080-90 GILR 8LW M8 LH house only	1
162	9653222-01 SRT100 Decal for main PTO lever	1
163	3608651 Bolt M8 x 65 8.8 D933 plated	2
164	6031701-00 ST Eye bolt sq 12 x M8	1
165	3608161 Bolt M8 x 16 8.8 D933 plated	1
166	6031136-02 ST70 Angle bracket to support main top cover	1
167	3606201 Bolt M6 x 20 8.8 D 933 plated	1

Part Number Revision Description
6031003-0100 ST70 ASSY Complete engine driveline